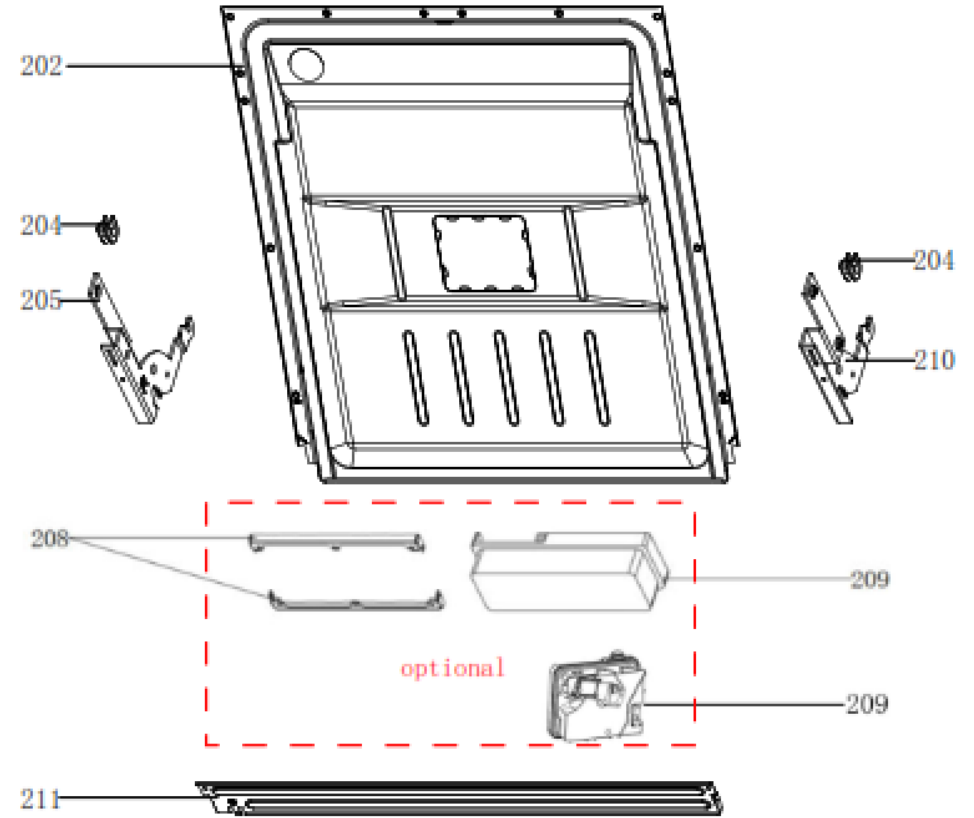
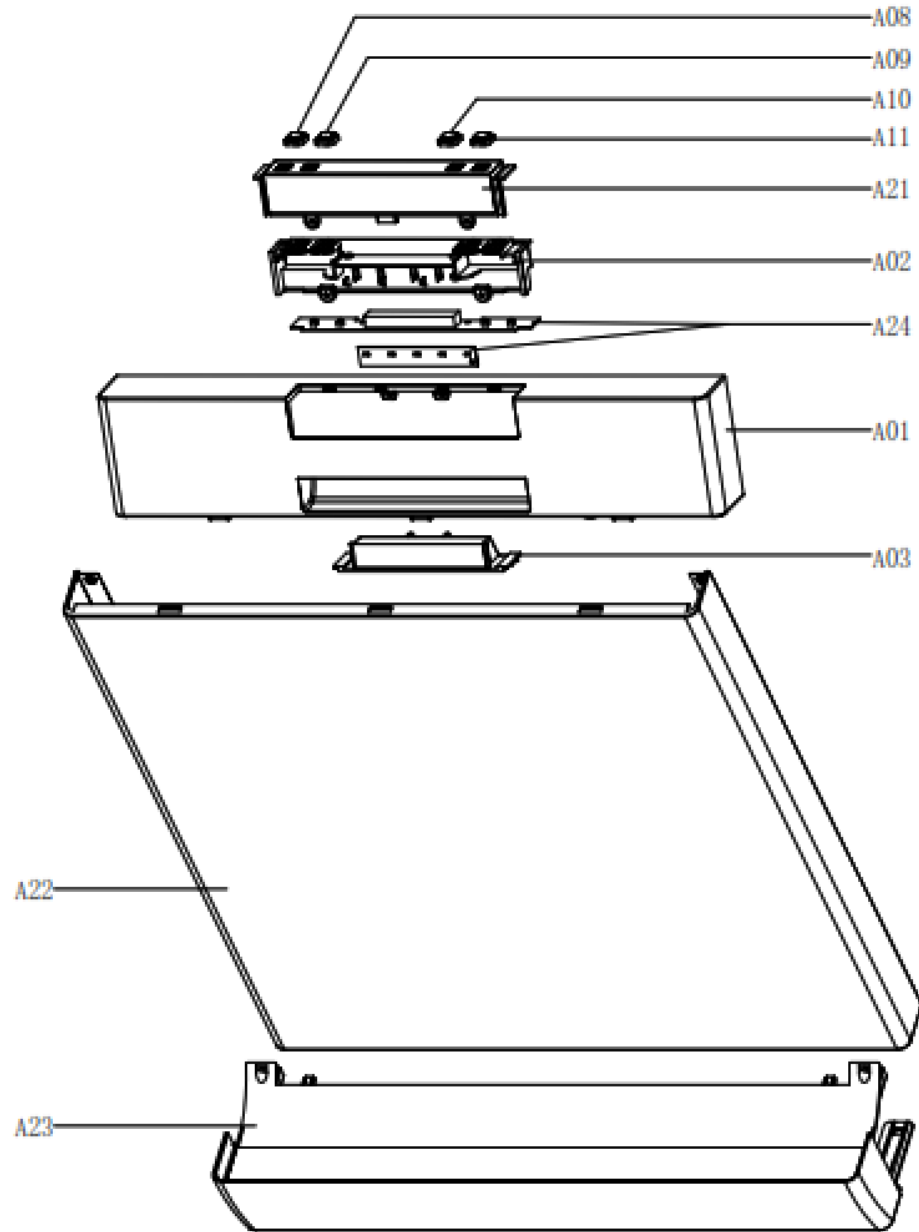
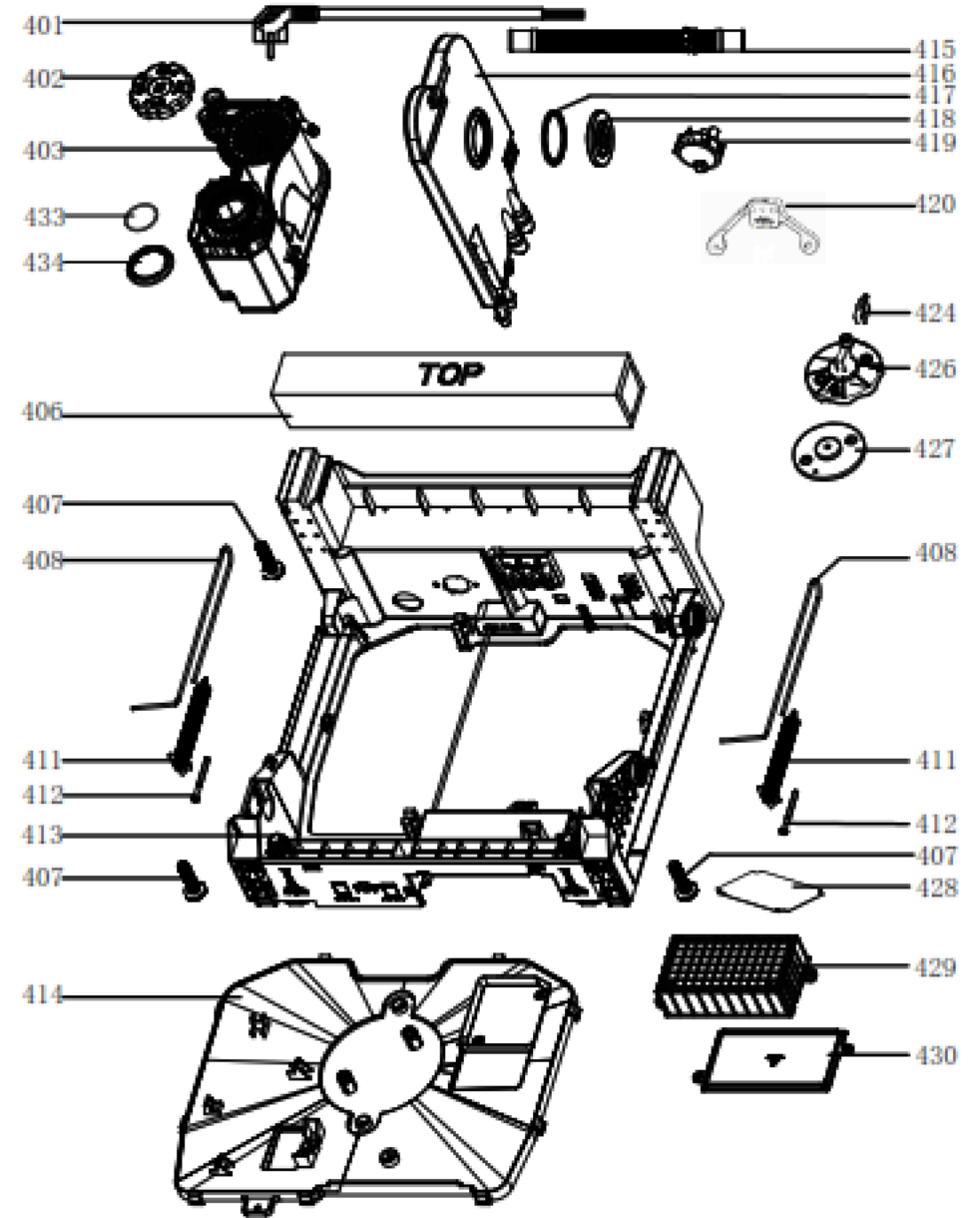
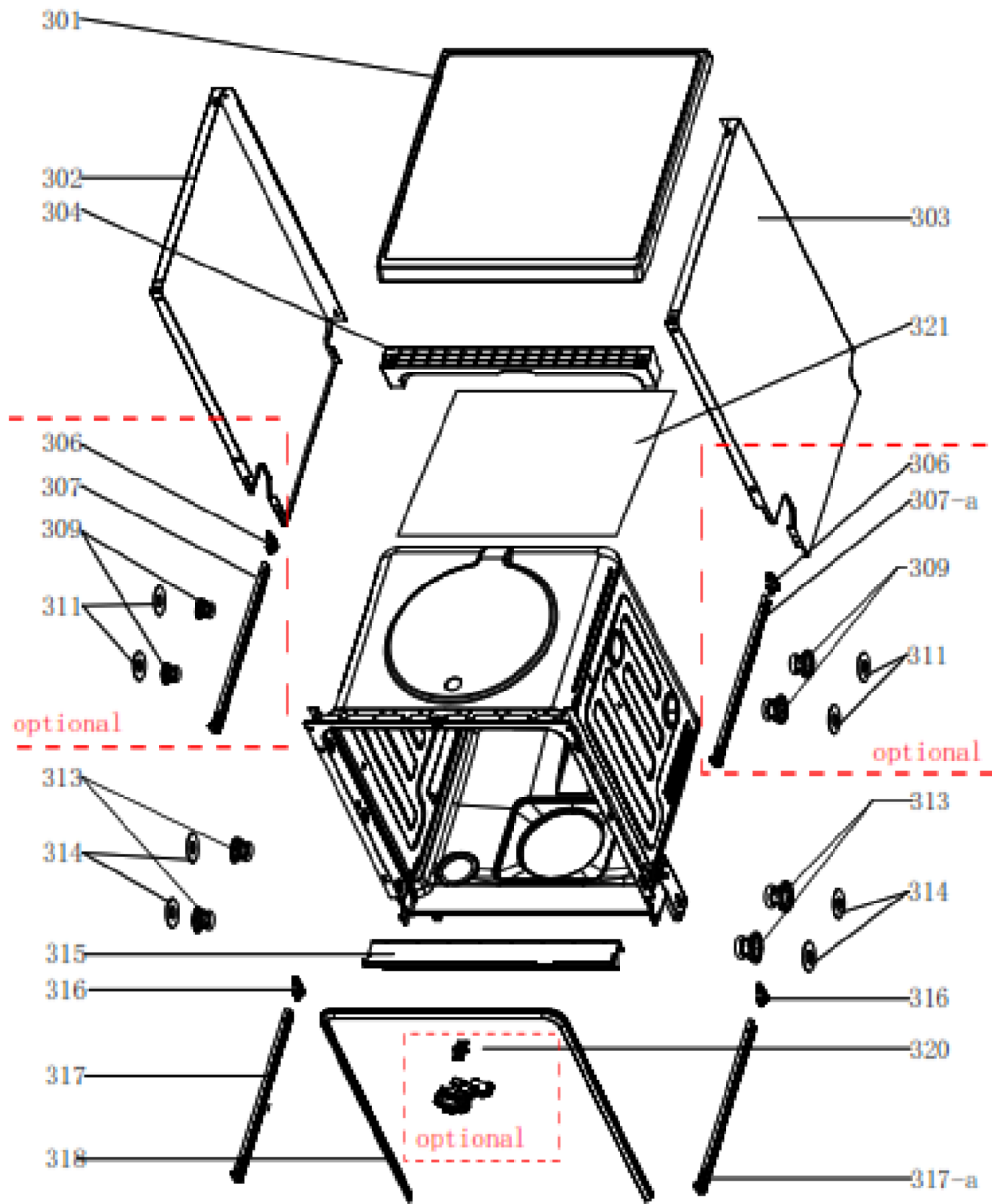
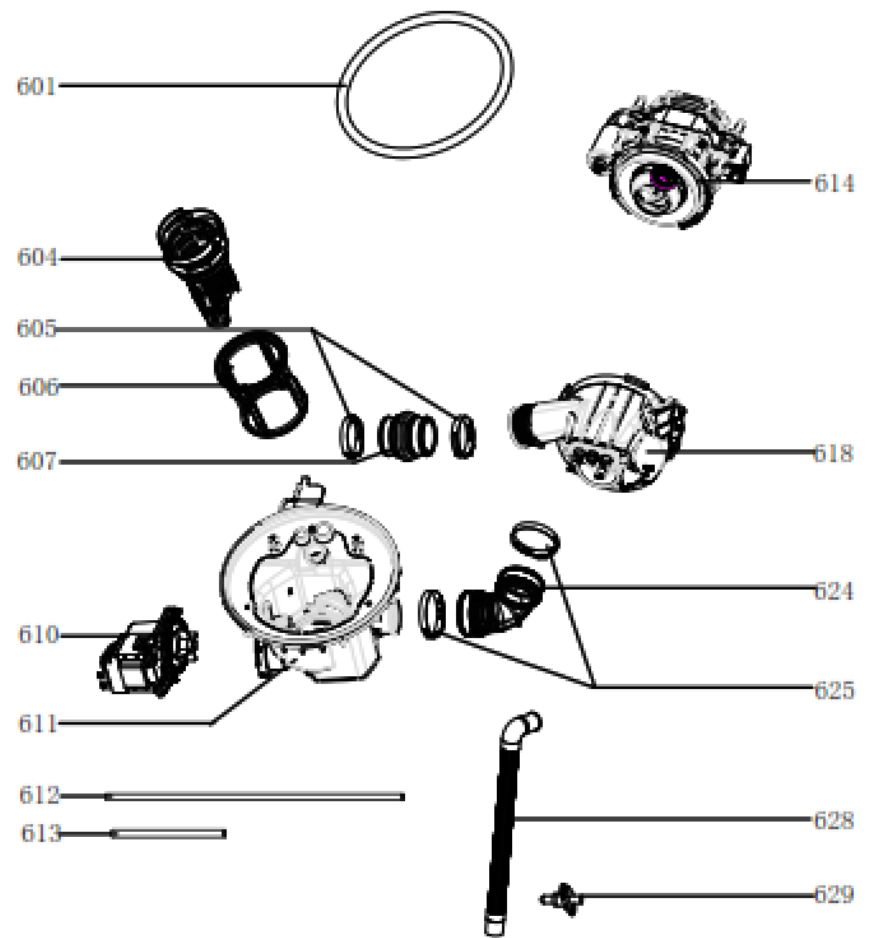
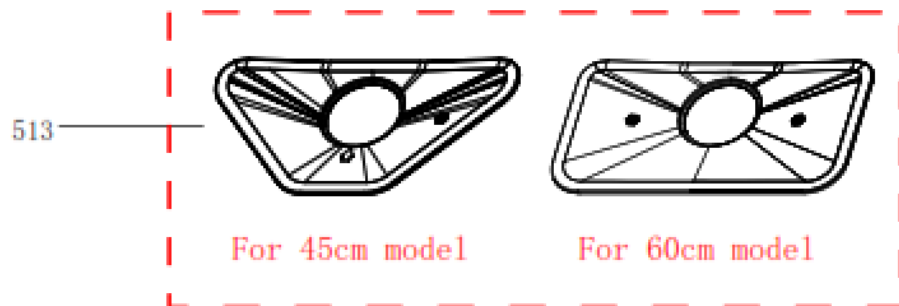
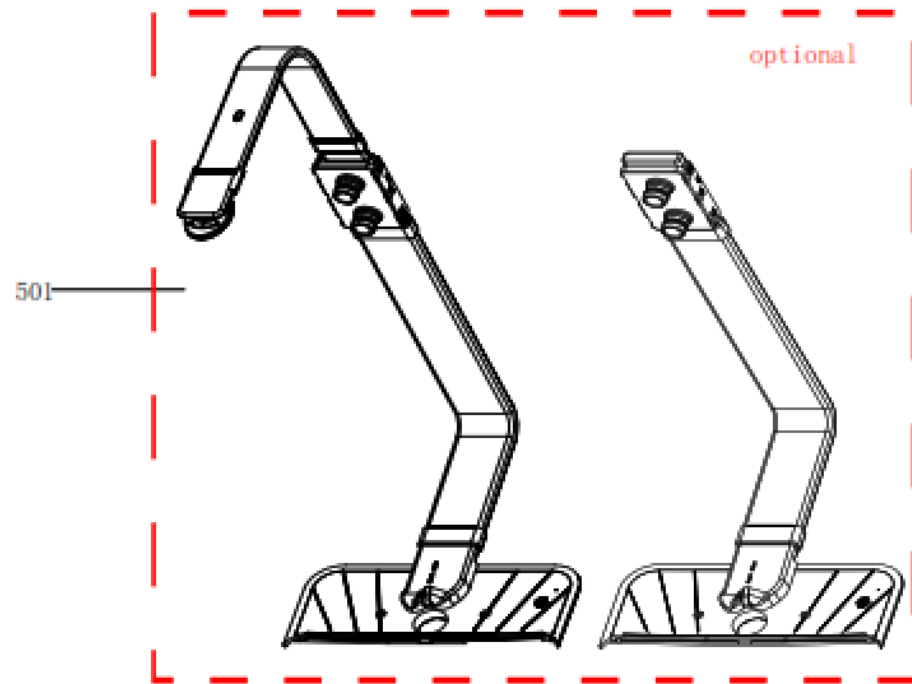


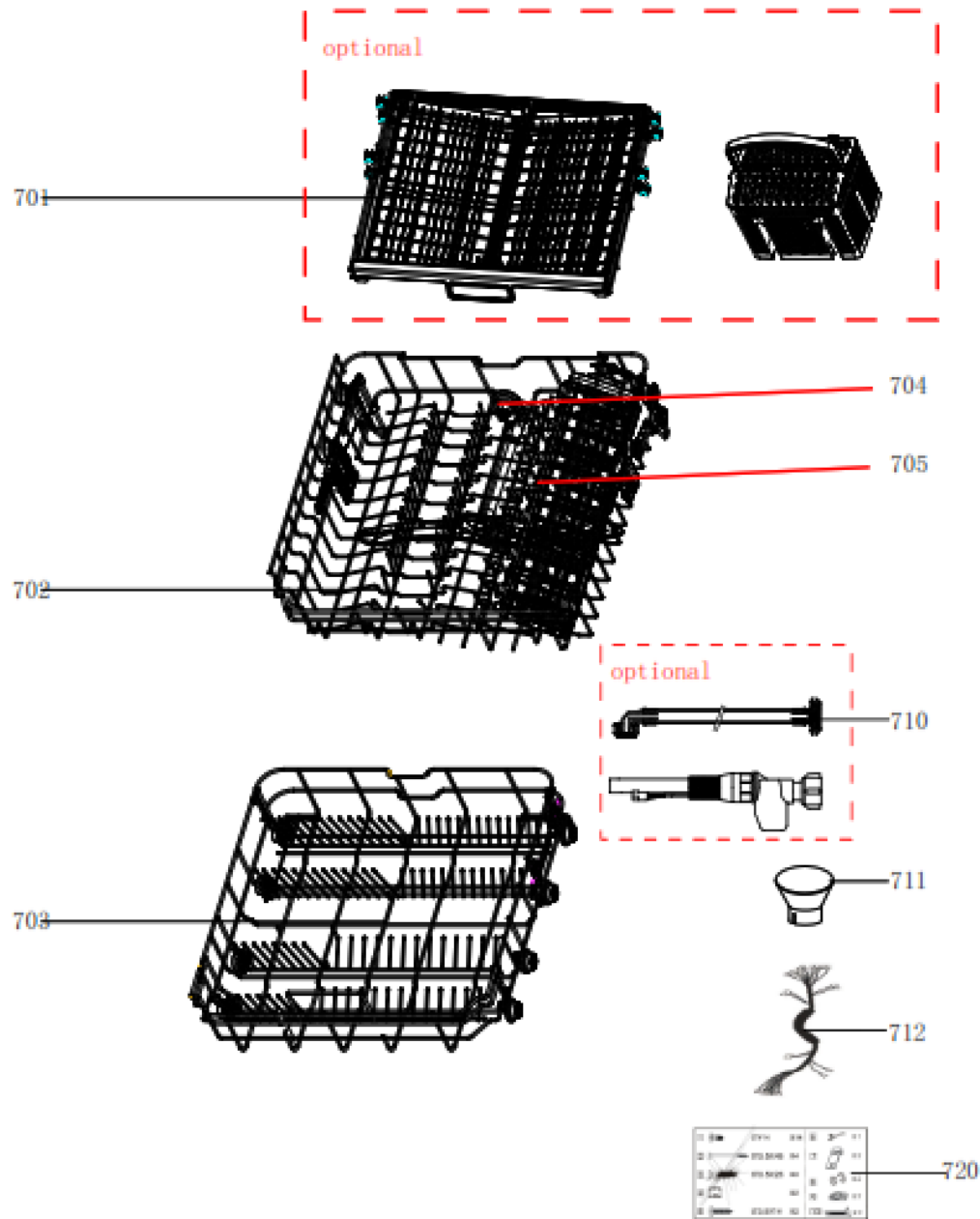
DISHWASHER
MODEL NUMBER
NE45FD10UK_EU
PARTS MANUAL

Exploded Drawings

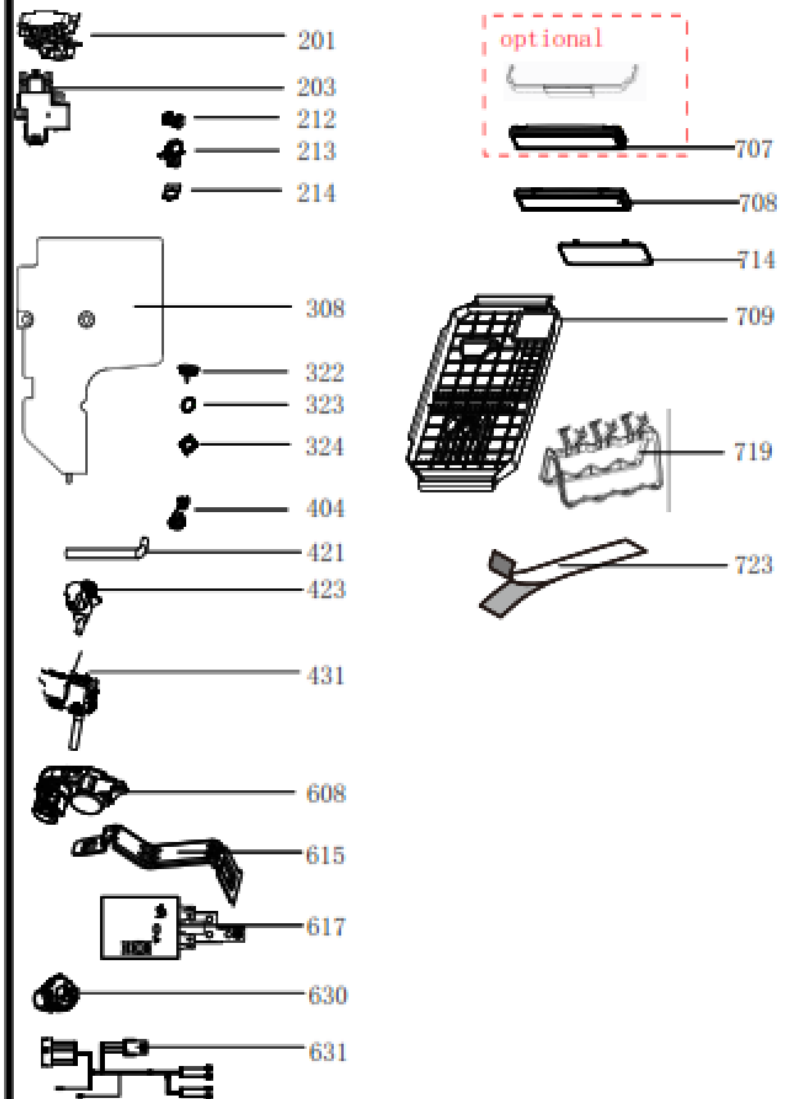








These parts are optional. Only serial numbers listed in the spare parts list represent the parts the machine possesses.



Spare Parts List

ID No	Part Number	Apelson Code	Part Description	Qty.
A22	12276000006650	AA0000002170	OUTER DOOR	1
A08	12676000A03463	AA0000003580	BUTTON	1
A11	12676000A03442	AA0000003581	BUTTON	1
A24	17176000A18637	AA0000003549	DISPLAY BOARD	1
A09	12676000A03462	AA0000003582	BUTTON	1
A01	12176000A98777	AA0000003583	CONTROL PANEL	1
A02	12176000003733	AA0000002163	PCB BOX	1
A10	12676000A03464	AA0000003584	BUTTON	1
A21	12176000B08877	AA0000003585	SCREEN COVER	1
A03	12176000002269	AA0000002164	HANDLE COVER	1
A23	12176000004130	AA0000002171	BASEBOARD	1
201	17476000007454	AA0000002150	DOOR SWITCH ASSEMBLY	1
202	12276000010207	AA0000002151	INNER DOOR ASSEMBLY	1
203	12176000030346	6730002328	DOOR LOCK ASSEMBLY	1
204	12176000003629	60501345	SNAP RING	1
205	12276000021258	AA0000003586	LEFT HINGE ASSEMBLY	1
208	12276000001459	AA0000002173	DISPENSER BRACKET	2
209	17476000007435	AA0000002174	DISPENSER	1
210	12276000021259	AA0000003587	RIGHT HINGE ASSEMBLY	1
211	12276000019617	AA0000003564	CONNECTING BOARD	1
301	12176000010957	AA0000002175	TOP PLATE ASSEMBLY	1
302	12276000014486	AA0000002176	LEFT SIDE PANEL	1
303	12276000014466	AA0000002177	RIGHT SIDE PLATE	1
304	12176000003871	AA0000002154	UPPER BACK SUPPORT	1
313	12176000010412	AA0000001775	RAIL SUPPORT ASSEMBLY	4
314	12176000008573	AA0000001776	BASKET GUIDER SUPPORTING HOLDER	4
315	12276000023090	AA0000003588	ACOUSTIC PANEL	1
316	12176000008496	673001300803	STOPPER	2
317	12276000001357	25107235	GUIDE RAIL ASSEMBLY	1
317-a	12276000001360	25107240	GUIDE RAIL ASSEMBLY	1

318	1267600000893	AA0000003567	SEAL	1
320	12176000009491	AA0000002155	DOOR LOCK HOOK	1
321	12176000010261	673000102016	BACK PLATE	1
401	17476000007384	AA0000002156	EUROPEAN STANDARD POWER CORD	1
402	12176000010640	673002800187	SOFTENER COVER ASSEMBLY	1
403	17476000010222	AA0000002766	SOFTENER	1
404	12176000009490	AA0000002157	POWER CORD CLASPER	1
406	12776000000021	AA0000002180	COUNTER WEIGHT	1
407	12176000009741	AA0000002181	FOOT	4
408	12976000000400	673001300699	DOOR ROPE	2
411	12976000000201	AA0000002182	SPRING	2
412	12976000001001	62701160	ADJUST SCREW OF DOOR SPRING	2
413+407	12176000003015	AA0000002183	BASE TRAY ASSEMBLY	1
414	12176000003090	AA0000002184	BASE TRAY COVER	1
415	12676000000138	25107280	DRAIN PIPE ASSEMBLY	1
416	12176000003906	25107355	AIR BREATHER ASSEMBLY	1
417	12676000000713	60501360	WASHER	1
418	12176000013663	673001600099	AIR BREATHER NUT	1
419	17476000007426	AA0000002158	PRESSURE SWITCH	1
420	12276000008925	25107295	HOOK ASSEMBLY	1
421	12676000000140	673000900289	INLET HOSE OF AIR BREATHER	1
423	17476000007448	AA0000002159	WATER INLET VALVE	1
424	17476000001137	25107305	MICROSWITCH	1
426	12176000003125	25107310	SWITCH SEAT	1
427	12876000000050	25107315	FLOAT	1
428	17176000036773	AA0000003550	MAIN CIRCUIT BOARD	1
429	12176000016897	60703810	PCB BOX COVER	1
430	12176000016896	60703815	PCB BOX	1
433	12676000004982	61900200	SOFTENER GASKET	1
434	12176000009513	60703200	SOFTENER NUT	1
501	12176000009430	673000903005	INNER PIPE ASSEMBLY	1
510	12176000009195	673000330028	LOWER SPRAYER	1
511	12176000008645	25107270	LOWER SPRAYER SEAT	1

513	12176000003700	65300560	PLANE FILTER	1
601	12676000001461	60501365	SEAL RING	1
604	12176000009640	AA0000003568	FILTER HANDLE	1
605	12976000004604	62902285	CLAMP	2
606	12176000003676	25107345	CYLINDRICAL FILTER	1
607	12676000000132	673000900417	WASHING PUMP OUTLET PIPE	1
610	17476000007443	26000380	DRAIN PUMP	1
611	12176000016230	AA0000003569	WATER CUP ASSEMBLY	1
612	12676000000687	673000902005	PRESSURE SWITCH PVC PIPE	1
613	12676000000170	673000902007	WATER OUTLET PIPE	1
614	17476000008302	AA0000003570	DRAIN PUMP	1
614	17476000019735	AA0000003571	INDUCTION PUMP	1
618	17476000007431	AA0000002161	HEATING TUBE ASSEMBLY	1
624	12676000000162	673000900418	INLET PIPE	1
625	12976000000308	69411135	CLAMP	2
628	12676000000955	673000903024	DRAIN HOSE	1
629	17176000012008	62100375	TEMPERATURE SENSOR	1
630	17176000014521	62101265	TURBIDITY SENSOR	1
631	17476000000382	AA0000003572	WIRE HARNESS	1
701	12176000002729	673003200057	CUTLERY BASKET	1
702	12976000007852	25109820	UPPER BASKET ASSEMBLY	1
703	12976000007851	25109825	LOWER BASKET ASSEMBLY	1
704	12176000009231	673000300147	SPRAY ARM ASSEMBLY	1
705	12176000002821	673003200058	KNIFE AND FORK RACK	1
710	12176000A69893	AA0000003573	INLET PIPE ASSEMBLY	1
711	12176000010312	25107250	SALT FILLER	1
712	17476000A04378	AA0000003589	MAIN WIRE HARNESS	1